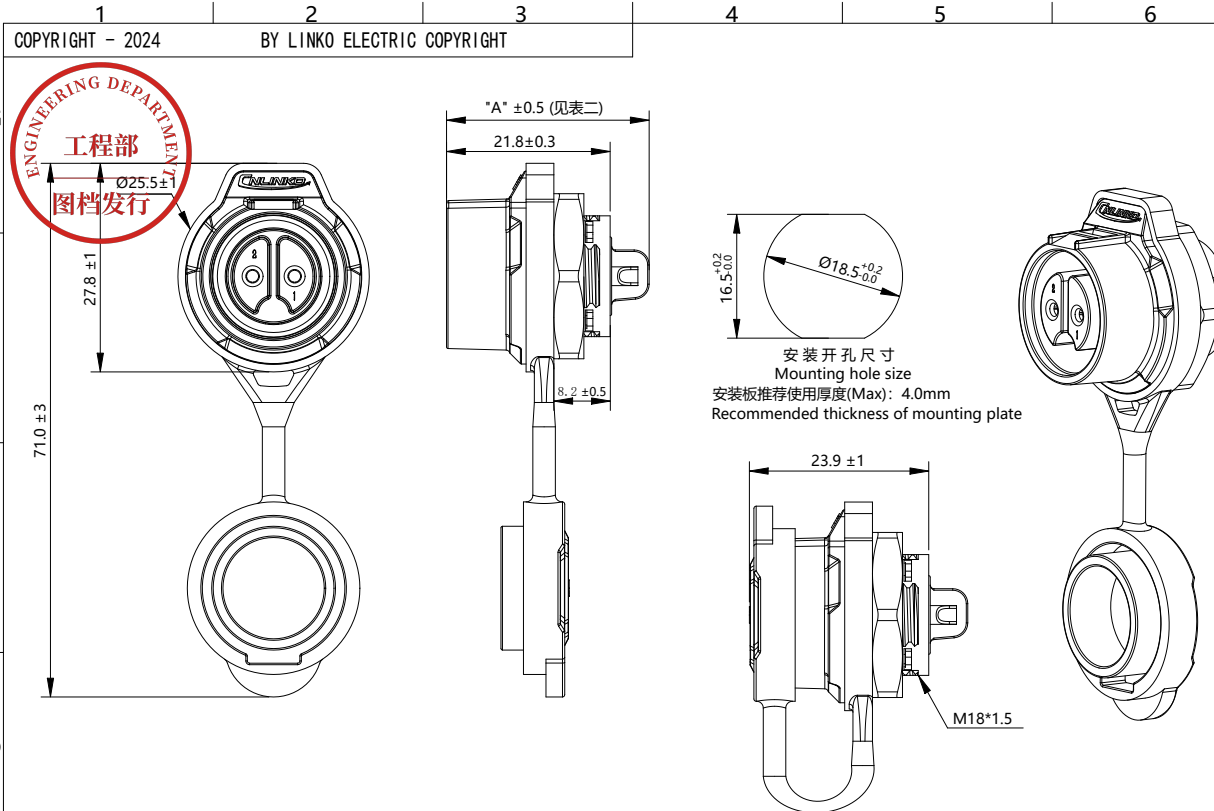


THIS INFORMATION IS CONFIDENTIAL AND IS DISCLOSED TO YOU ON CONDITION THAT NO FURTHER DISCLOSURE IS MADE BY YOU TO OTHER THAN LINKO ELECTRIC PERSONNEL WITHOUT WRITTEN AUTHORIZATION FROM LINKO CORP.



表一：电气参数/Electrical parameters

芯数	2芯	3芯	4芯	5芯	7芯	8芯	9芯
母端 Female							
公端 Male							
额定电流 Rated current	10A			5A			
额定电压 Rated voltage	400V AC			250V AC			
耐压 (Max) Dielectric withstanding voltage	2000V AC			1500V AC			
接触阻抗 (Max) Contact resistance	3mΩ			5mΩ			
绝缘阻抗 (Min) Insulation resistance	500MΩ						
线规 Wire gauge	1.0~1.5mm <sup>2</sup> /18~16AWG			0.34~0.5mm <sup>2</sup> /22~20AWG			
接线方式 Terminal Type	焊接/welding						
线径直径 Cable OD	/						
紧固扭矩 Tightening torque	1.0N.m						
防护等级 IP code	对接状态 <input type="checkbox"/> IP65		<input type="checkbox"/> IP67		<input checked="" type="checkbox"/> IP68		<input type="checkbox"/> IP9k
使用寿命 (Min) Operating cycles	500次						
工作温度 Operating temperature	-40°C ~ +85°C(金属款/Metal shell)						

7	8	9	10		
ECN NO.	REV.	MODIFICATION	DATE	DRAW	APPROVED
ECNXXXXXX	A1	初版发行	2024/03/14	杨今心	宋星亮

编码原则:

Part Number rules

LP-16- X XX XX- X X -X XX X  
1 2 3 4 5 6 7 8 9 10

- 产品系列: 以两个字母表示如LP/DH/BD/YF/YP/YW/YZ/LK...等  
Product series is represented by two capital letters such as LP/DH/BD/YF/YP/YW/YZ/LK, etc.
- 产品型号: 12/16/20/24/28.  
Product number
- 公母类别: C=公针/端 J=母针/端 K=公母混合  
Interface type C=male pin/end J=female pin/end K=both male and female pins
- 接口类别:  
Interface type
  - 4.1 电源&信号: 非PIN针=00  
Non-pin type=00  
PIN针类: 01=单芯 02=2芯 03=3芯 04=4芯....  
Pin type: 01=single pin 02=2 pin 03=3 pin 04=4 pin....
  - 4.2 数据&信号类: USB\HDMI\RJ45\ (光纤: LC/FC/SC/ST/MPO/MTP等).  
Signal class: USB\HDMI\RJ45\ (optical fiber: LC/FC/SC/ST/MPO/MTP, etc).  
数据&信号类范例:  
Signal type example: /USB3A/1 0 0

USB 3A: USB 3.0	0	0接口
USB 3B: USB 3.1	1	1接口
其它款依此类推	2	2接口
And so on		

0	不防水
1	防水

0	带PCB板
1	带Hsg
2	口朝上
3	直通式
4	口朝下
5	带胶芯
6	胶芯带线

- 连接器类型 PE=插头 SX=插座 PP=对接插座  
Connector Type PE=Plug SX=Receptacle PP=Floating connector
- 接线方式 0=焊接 1=压接 2=锁线 3=铆接 4=其它  
Wiring method 0=Soldering 1=Crimping 2=Screwing 3=Riveting 4=Other
- 材料属性 1=塑胶+金属 2=全塑胶 3=全金属  
Material 1=Plastic+metal 2=All plastic 3=All metal
- 特殊码 0=插头 1=单孔直式插座 2=两孔法兰插座 4=四孔法兰插座  
Special code 0=Plug/Floating connector 1=Single-hole straight receptacle  
2=Two-hole flange receptacle 4=Four-hole flange receptacle
- 流水码Streaming code :01-99
- 区别码空白或A~Z / Distinction code:blank or A-Z

X.X±0.3 X°±3° X.XX±0.15 X.XX°±1.0° X.XXX±0.100 未注圆角R0.2 TOLERANCES UNLESS OTHERWISE SPECIFIED		 <b>深圳市凌科电气有限公司</b> SHENZHEN LINKO ELECTRIC CO.,LTD		
DRAWN	杨今心	2024/03/14	TITLE: LP16型xx芯单孔直式x插座金属款 焊接式	
CHECKED	杨武	2024/03/14		
APPROVED	宋星亮	2024/03/14		
UNIT: mm	SIZE:A4	SHEET:1/2	P/N:	
PORJ.		SCALE: /	LP-16-xxxSX-03-1xxx	A1

THIS INFORMATION IS CONFIDENTIAL AND IS DISCLOSED TO YOU ON CONDITION THAT NO FURTHER DISCLOSURE IS MADE BY YOU TO OTHER THAN LINKO ELECTRIC PERSONNEL WITHOUT WRITTEN AUTHORIZATION FROM LINKO CORP.

1 COPYRIGHT - 2024			2 BY LINKO ELECTRIC COPYRIGHT			7 ECN NO. ECNXXXXXX		8 REV. A1	9 MODIFICATION 初版发行		10 DATE 2024/03/14	11 DRAW 杨今心	12 APPROVED 宋星亮
-----------------------	--	--	----------------------------------	--	--	---------------------------	--	-----------------	---------------------------	--	--------------------------	-------------------	-----------------------



		2芯	3芯	4芯	5芯	7芯	8芯	9芯
公端 Male								
	A	26.0	27.0	26.0	26.2	24.5	24.5	24.5
母端 Female								
	A	27.0	27.0	27.0	27.0	26.5	26.5	26.5

X.X±0.3      X°±3° X.XX±0.15      X.X°±1.0° X.XXX±0.100      未注圆角R0.2 TOLERANCES UNLESS OTHERWISE SPECIFIED			深圳市凌科电气有限公司 SHENZHEN LINKO ELECTRIC CO.,LTD	
DRAWN	杨今心	2024/03/14	TITLE: LP16型xx芯单孔直式x插座金属款 焊接式	
CHECKED	杨武	2024/03/14		
APPROVED	宋星亮	2024/03/14	P/N: LP-16-xxxSX-03-1xxx	
UNIT: mm	SIZE:A4	SHEET:2/2		
PORJ.		SCALE: /	A1	