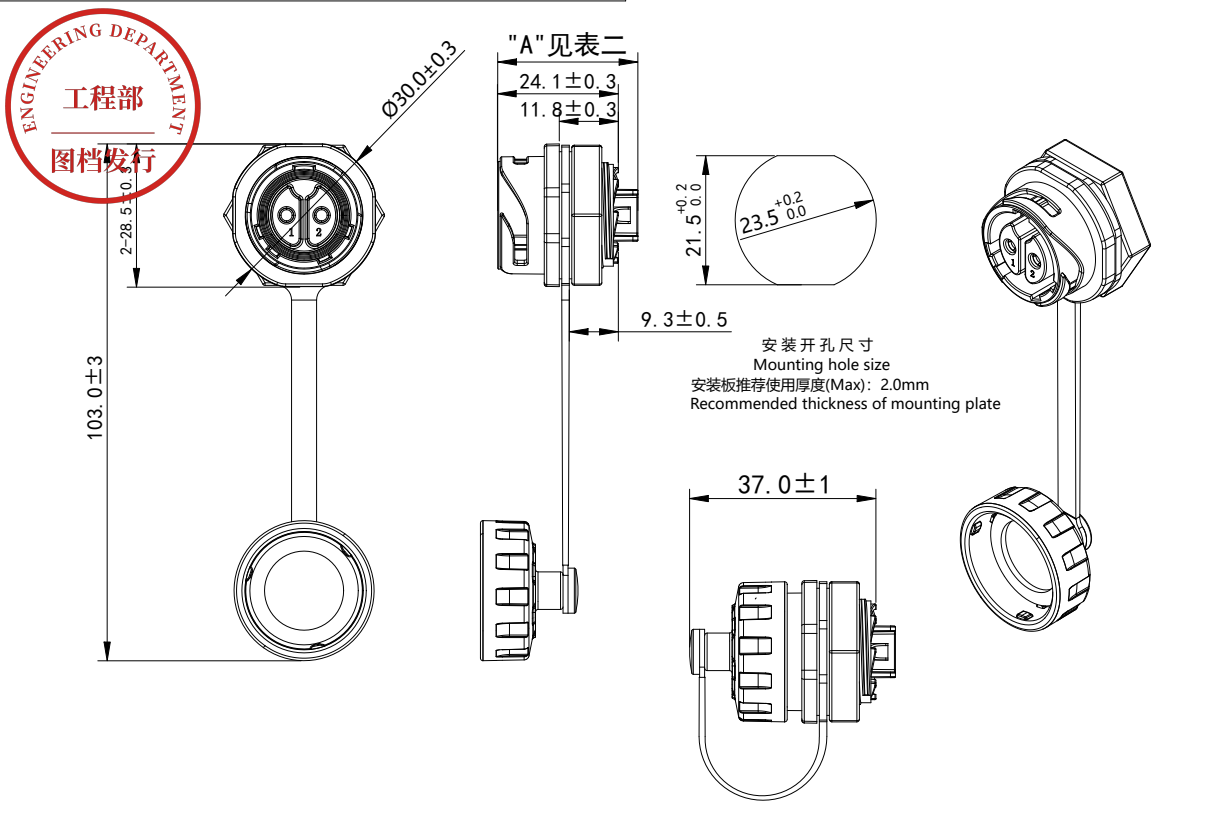


THIS INFORMATION IS CONFIDENTIAL AND IS DISCLOSED TO YOU ON CONDITION THAT NO FURTHER DISCLOSURE IS MADE BY YOU TO OTHER THAN LINKO ELECTRIC PERSONNEL WITHOUT WRITTEN AUTHORIZATION FROM LINKO CORP.

COPYRIGHT - 2024 BY LINKO ELECTRIC COPYRIGHT



表一：电气参数/Electrical parameters

芯数	2芯	3芯	4芯	5芯	7芯	8芯(2+6)	9芯	12芯	14芯
母端 Female									
公端 Male									
额定电流 Rated current	20A			10A		20A/5A		5A	
额定电压 Rated voltage	500V AC			250V AC		250V AC		250V AC	
耐压 (Max) Dielectric withstanding voltage	2000V AC			1500V AC		1500V AC		1500V AC	
接触电阻 (Max) Contact resistance	1.0mΩ			3.0mΩ		1.0mΩ / 5.0mΩ		5.0mΩ	
绝缘电阻 (Min) Insulation resistance	500MΩ								
线规 Wire gauge	2.5~4.0mm <sup>2</sup> / 14~12AWG			1.0~1.5mm <sup>2</sup> / 18~16AWG		2.5~4.0mm <sup>2</sup> /14~12AWG 0.34~0.5mm <sup>2</sup> /22~20AWG		0.34~0.5mm <sup>2</sup> / 22~20AWG	
接线方式 Terminal type	焊接/welding								
线缆直径 Cable dia	/								
紧固扭矩 Tightening torque	1.2N.m								
防护等级 IP code	对接状态 <input type="checkbox"/> IP65 <input type="checkbox"/> IP67 <input checked="" type="checkbox"/> IP68 <input type="checkbox"/> IPx9k								
使用寿命 (Min) Operating cycles	500次								
工作温度 Operating temperature	-25°C ~ +85°C(标准塑胶款/Standard Plastic shell); -40°C ~ +85°C(定制塑胶款/Customized Plastic shell)								

ECN NO.	REV.	MODIFICATION	DATE	DRAWN	APPROVED
N/A	A1	初版发行	2024/03/20	杨心欣	宋星亮

编码原则:  
Part Number rules  
YM-20-X XX XX-X X-X XX X  
1 2 3 4 5 6 7 8 9 10

1. 产品系列: 以两个字母表示如LP/DH/BD/YF/YP/YW/YZ/LK...等  
Product series is represented by two capital letters such as LP/DH/BD/YF/YP/YW/YZ/LK, etc.

2. 产品型号: 12/16/20/24/28.  
Product number

3. 公母类别: C=公针/端 J=母针/端 K=公母混合  
Interface type C=male pin/end J=female pin/end K=both male and female pins

4. 接口类别:  
Interface type  
4.1 电源&信号: 非PIN针=00  
Non-pin type=00  
PIN针类: 01=单芯 02=2芯 03=3芯 04=4芯...  
Pin type: 01=single pin 02=2 pin 03=3 pin 04=4 pin....

4.2 数据&信号类: USB\HDMI\RJ45\ (光纤: LC/FC/SC/ST/MPO/MTP等).  
Signal class: USB\HDMI\RJ45\ (optical fiber: LC/FC/SC/ST/MPO/MTP, etc.  
数据&信号类范例:  
Signal type example: /USB3A/1 0 0

0	0接口	0	不防水	0	带PCB板
1	1接口	1	防水	1	带Hsg
2	2接口			2	口朝上
				3	直通式
				4	口朝下
				5	带胶芯
				6	胶芯带线

5. 连接器类型 PE=插头 SX=插座 PP=对接插座  
Connector Type PE=Plug SX=Receptacle PP=Floating connector

6. 接线方式 0=焊接 1=压接 2=锁线 3=铆接 4=其它  
Wiring method 0=Soldering 1=Cramping 2=Screwing 3=Riveting 4=Other

7. 材料属性 1=塑胶+金属 2=全塑胶 3=全金属  
Material 1=Plastic+metal 2=All plastic 3=All metal

8. 特殊码 0=插头 1=单孔直式插座 2=两孔法兰插座 4=四孔法兰插座  
Special code 0=Plug/Floating connector 1=Single-hole straight receptacle  
2=Two-hole flange receptacle 4=Four-hole flange receptacle

9. 流水码 Streaming code :01~99

10. 区别码空白或A ~Z / Distinction code: blank or A-Z

X.X±0.3 X°±3° X.XX±0.15 X.X°±1.0° X.XXX±0.100 未注圆角R0.2 TOLERANCES UNLESS OTHERWISE SPECIFIED		 <b>深圳市凌科电气有限公司</b> SHENZHEN LINKO ELECTRIC CO.,LTD	
DRAWN	杨心欣	2024/03/20	TITLE:
CHECKED	杨武	2024/03/20	YM20型xx芯单孔直式x插座塑胶款焊接式 (隔栏_防呆_二代主体)
APPROVED	宋星亮	2024/03/20	
UNIT: mm	SIZE: A4	SHEET: 1/2	P/N: YM-20-xxxSX-02-1xxA
PORJ.		SCALE /	A1

THIS INFORMATION IS CONFIDENTIAL AND IS DISCLOSED TO YOU ON CONDITION THAT NO FURTHER DISCLOSURE IS MADE BY YOU TO OTHER THAN LINKO ELECTRIC PERSONNEL WITHOUT WRITTEN AUTHORIZATION FROM LINKO CORP.

1 2 3 4 5 6  
 COPYRIGHT - 2024 BY LINKO ELECTRIC COPYRIGHT

7	8	9	10
ECN NO.	REV.	MODIFICATION	DATE
N/A	A1	初版发行	2024/03/20
			DRAWN 杨今心
			APPROVED 宋星亮

表二: "A"尺寸/Length

	2芯	3芯	4芯	5芯	7芯	8芯(2+6)	9芯	12芯	14芯	
母端 Female										
A	28.2	28.2	28.4	27.0	25.4	28.6	26.3	26.3	25.9	
					"A" ± 0.5		"A" ± 0.5		"A" ± 0.5	
公端 Male										
A	29.3	29.3	29.3	27.8	26.1	29.3	25.7	25.7	26.8	
					"A" ± 0.5		"A" ± 0.5		"A" ± 0.5	



X.X±0.3 X°±3° X.XX±0.15 X.X°±1.0° X.XXX±0.100 未注圆角R0.2 TOLERANCES UNLESS OTHERWISE SPECIFIED			深圳市凌科电气有限公司 SHENZHEN LINKO ELECTRIC CO.,LTD		
DRAWN	杨今心	2024/03/20	TITLE: YM20型xx芯单孔直式x插座塑胶款焊接式 (隔栏_防呆_二代主体)		
CHECKED	杨武	2024/03/20			
APPROVED	宋星亮	2024/03/20			
UNIT: mm	SIZE: A4	SHEET: 2/2	P/N: YM-20-xxxSX-02-1xxA		A1
PORJ.		SCALE /			